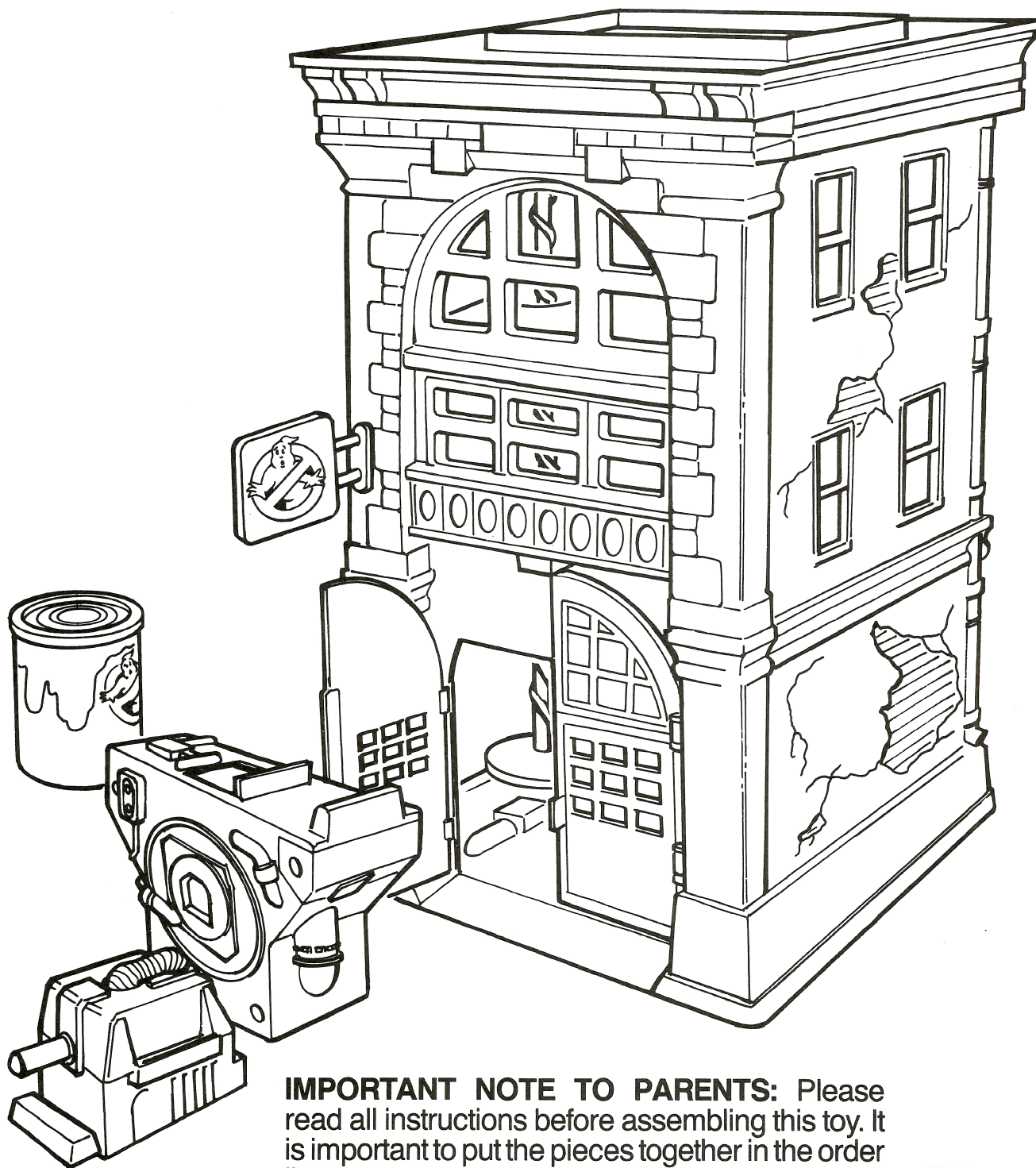




FIRE HOUSE HEADQUARTERS



IMPORTANT NOTE TO PARENTS: Please read all instructions before assembling this toy. It is important to put the pieces together in the order listed. Most of the pieces are identified with embossed names.

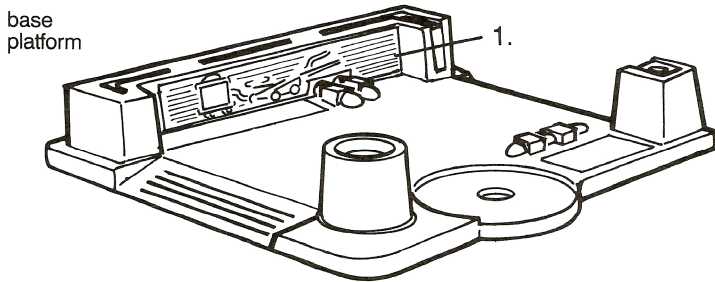
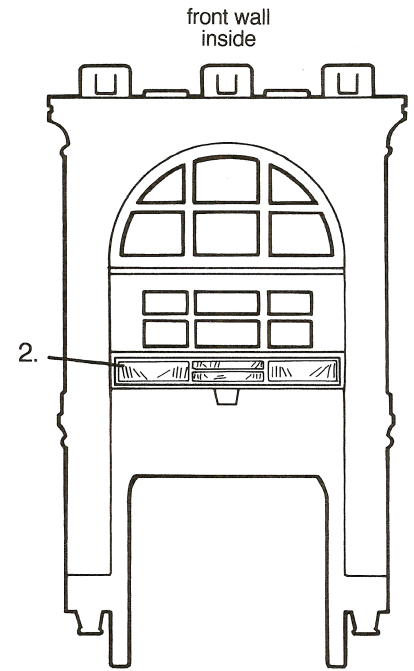
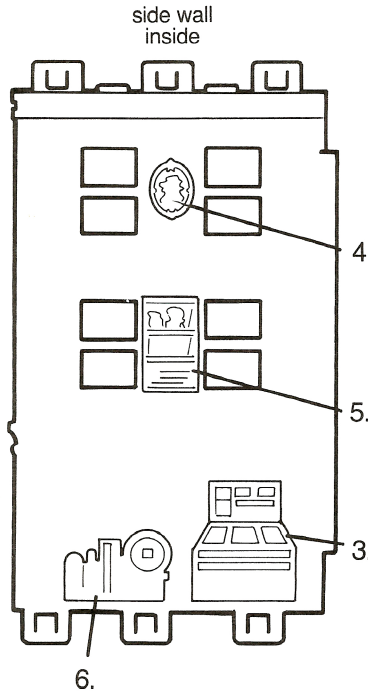
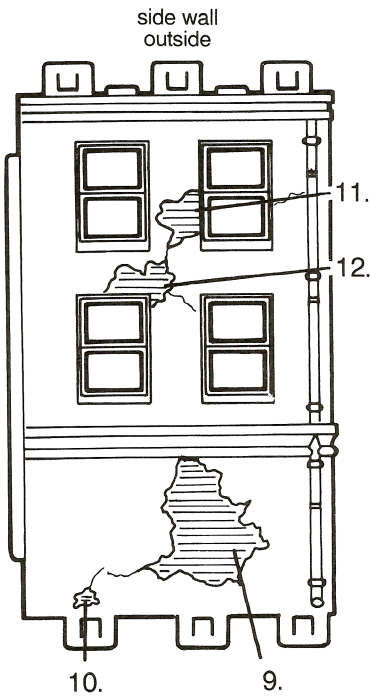
© Columbia Pictures Industries, Inc.
© Columbia Pictures Television, a division of
CPT Holdings, Inc. All Rights Reserved.

* Kenner is a registered trademark of
Kenner Parker Toys Inc., Cincinnati, Ohio 45202

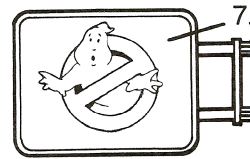
Kenner*

Label Placement

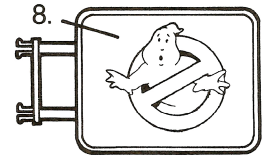
Apply labels by following numbers on label sheets and these illustrations.



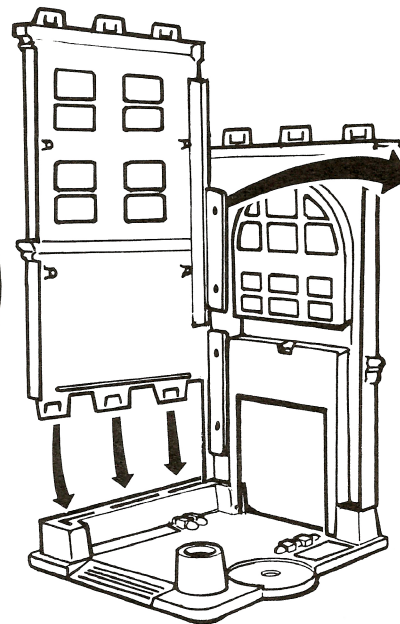
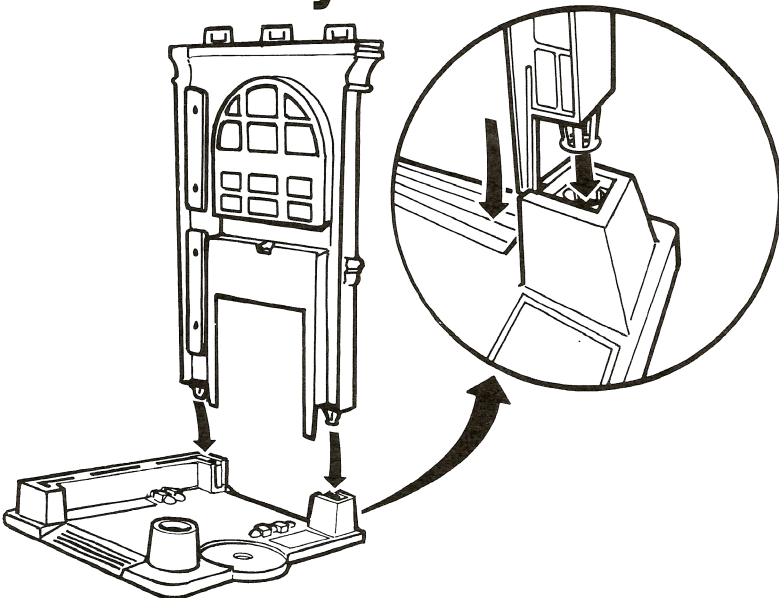
sign front



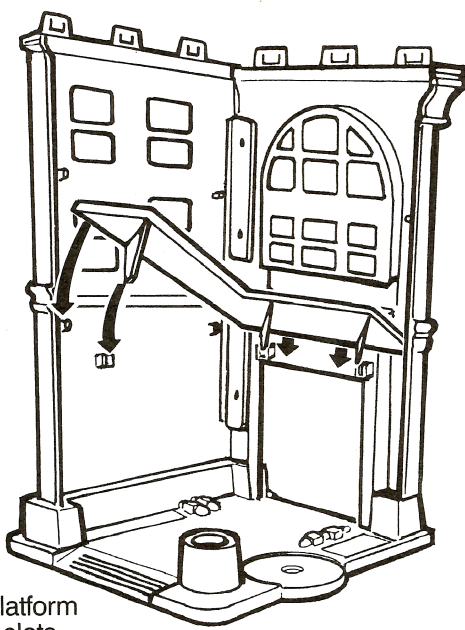
sign back



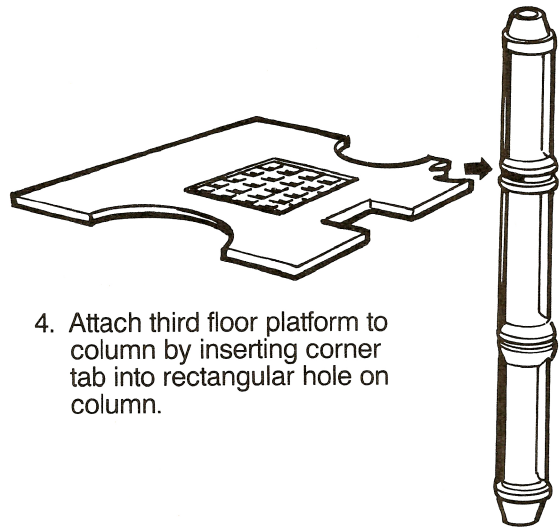
Assembly



2. Slide side wall down into corner of front wall, then snap tabs into slots on base.

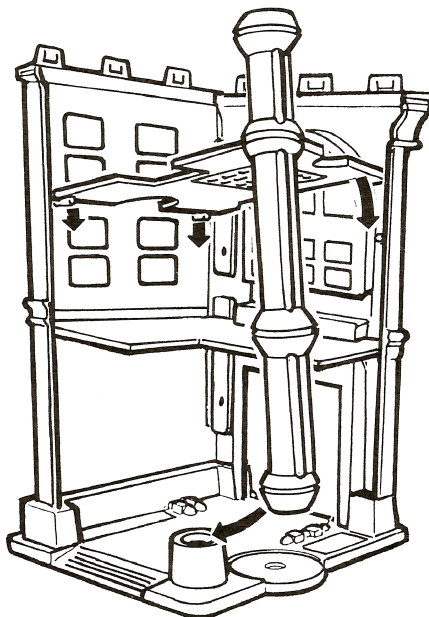


3. Snap second floor platform into place by sliding slots (3) on edges onto floor brackets (3) on walls.

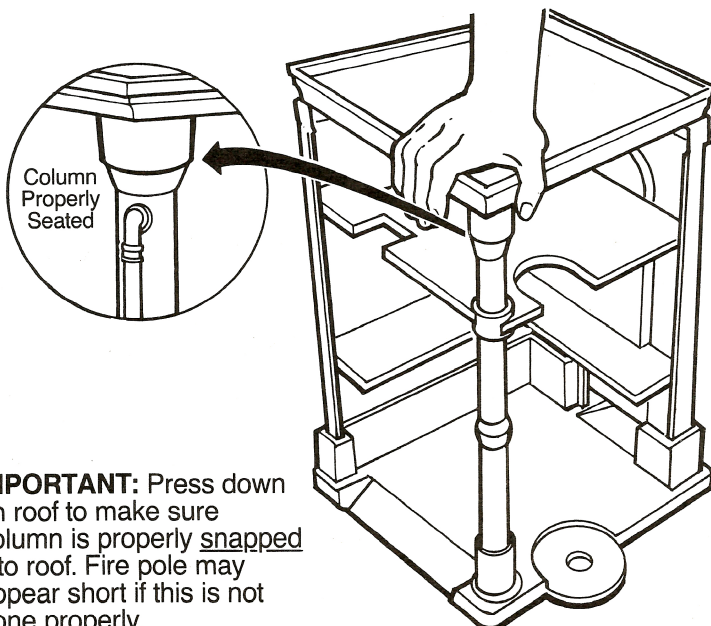
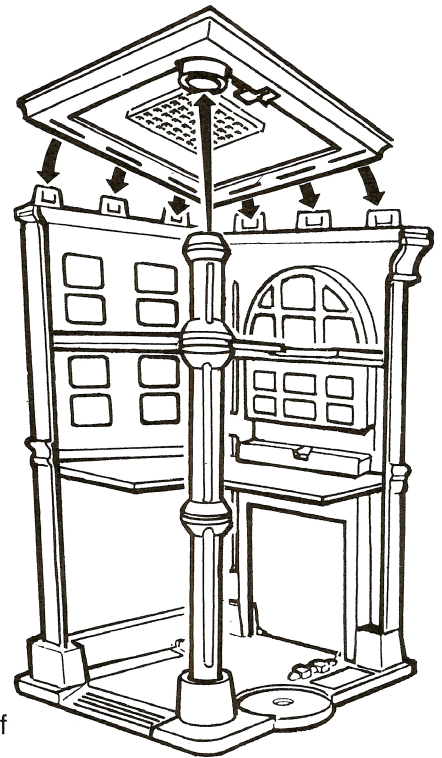


4. Attach third floor platform to column by inserting corner tab into rectangular hole on column.

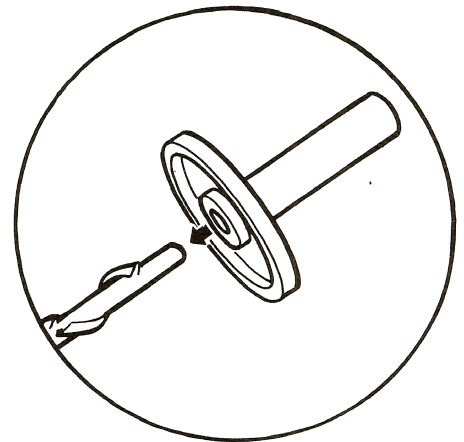
5. Snap column into corner hole in base and attach third floor platform to walls by sliding slots onto (3) floor brackets on walls.



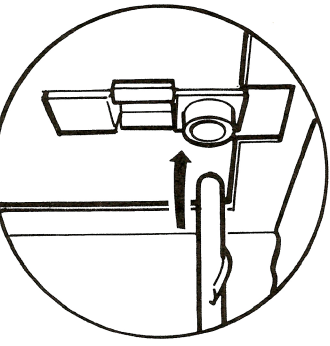
6. Align tabs on walls with slots on roof and column with hole in roof. Snap roof into position.



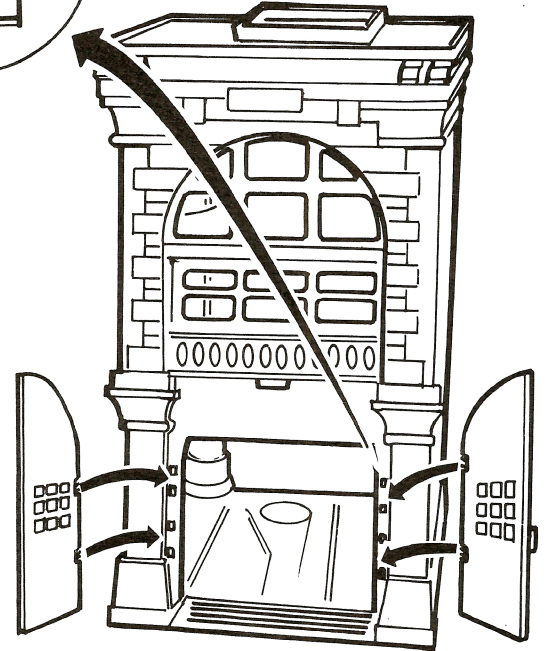
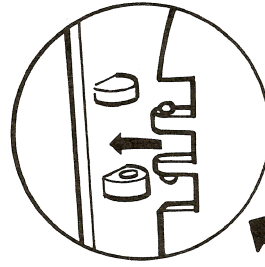
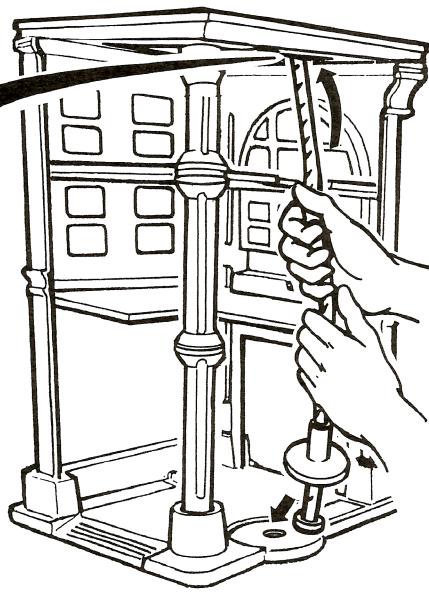
7. **IMPORTANT:** Press down on roof to make sure column is properly snapped into roof. Fire pole may appear short if this is not done properly.



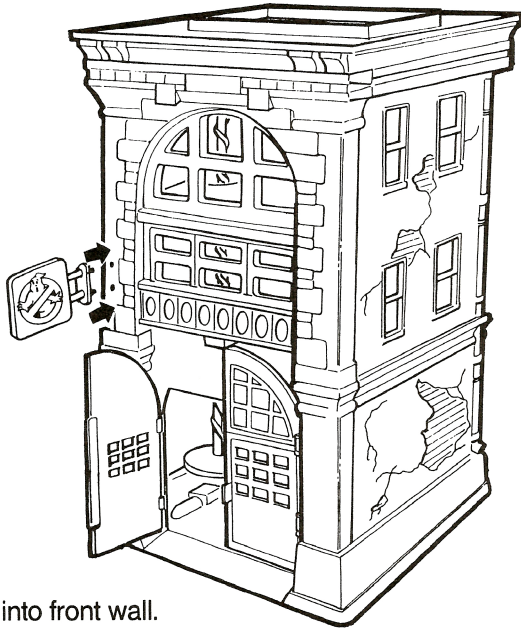
8. Slide round platform over top of fire pole.



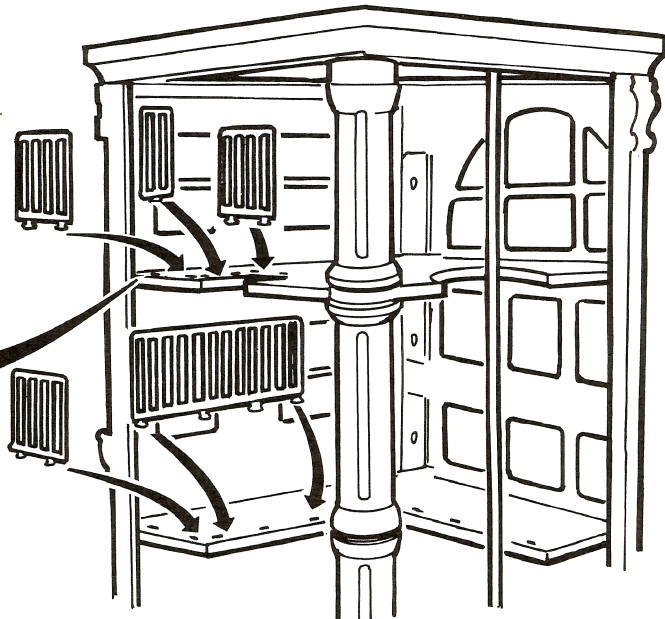
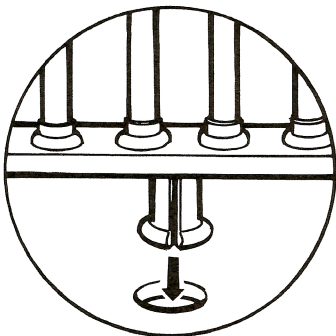
9. Insert fire pole in top release button and bend pole to fit into round hole in base.



10. Snap doors onto frame. Doors will swing open.



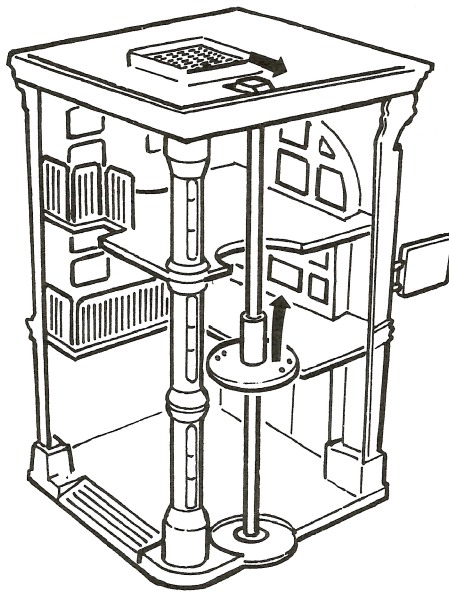
11. Insert sign into front wall.



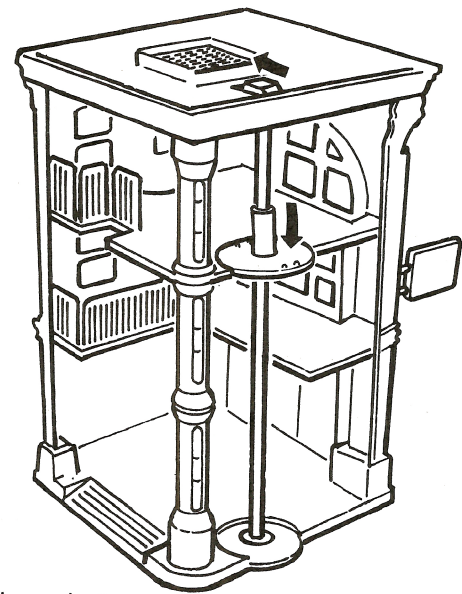
12. Attach railings to floor platforms.

Operation

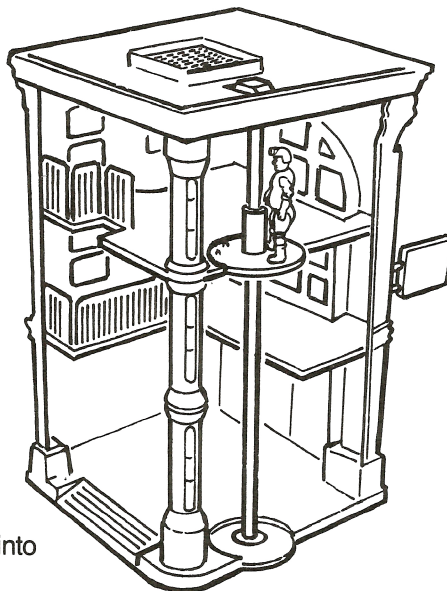
Fire Pole/Platform



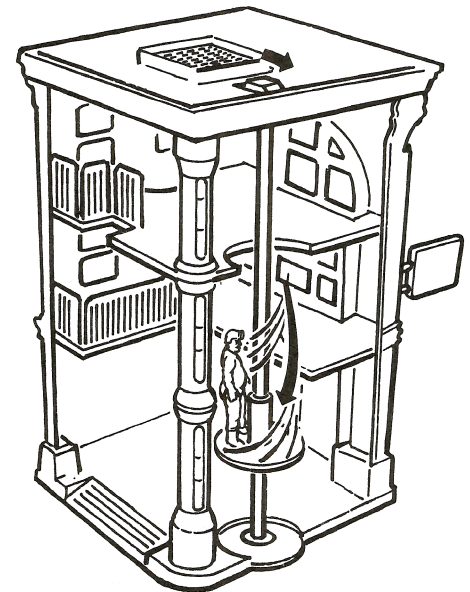
13. Move release button forward and slide round platform to top.



14. Moving release button backward, rest platform on ledge of third floor.



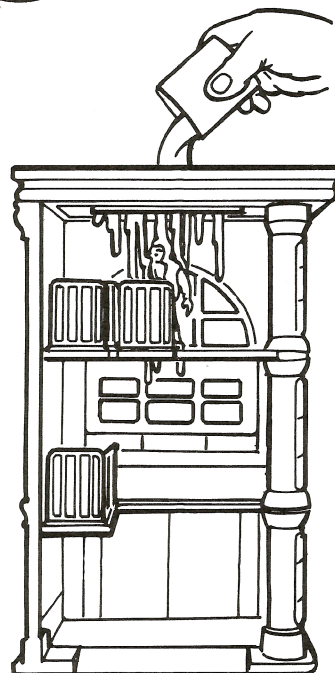
15. Place action figure on platform, inserting pegs into holes on feet of figure.



16. Move release button forward to allow platform to spin to first floor.

Ecto-Plazm™

17. Place figure on grate on third floor platform. Drop Ecto-Plazm™ Play Gel through grate on roof. Ecto-Plazm™ will slowly drop down over figure.

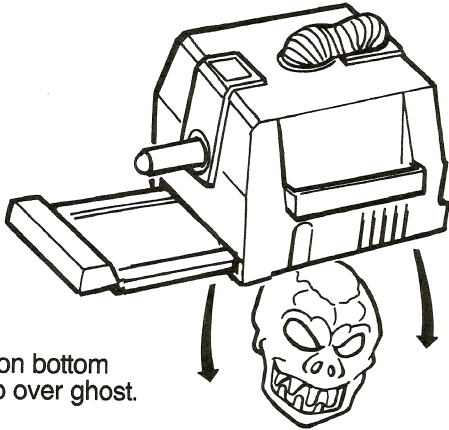


Clean Immediately After Play

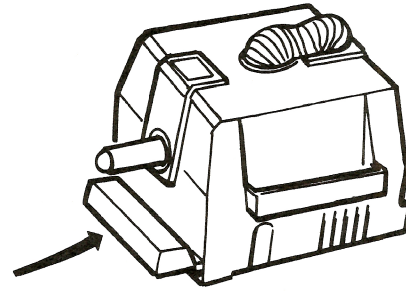
Pick up excess play gel from inside the toy. Use soft cloth and warm soapy water to clean play set. Wash figure in warm soapy water.

Play gel may stick to rugs, fabrics, hair, and may damage wood surfaces. If stains occur, clean with cold water and laundry detergent.

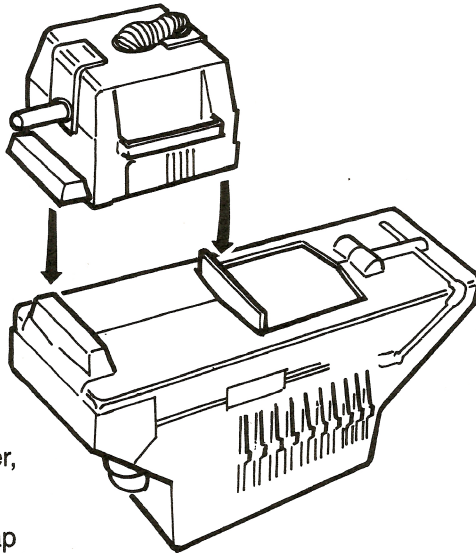
Ghost Trap/Containment Chamber



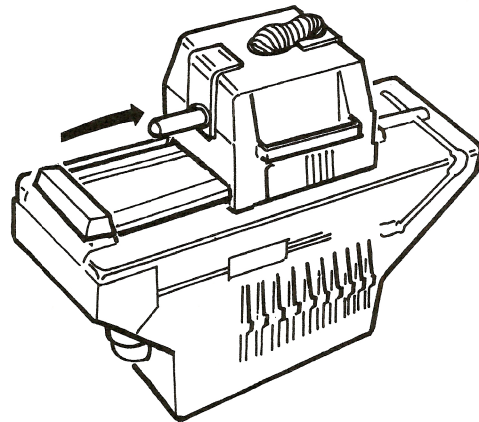
18. Slide door open on bottom of trap, place trap over ghost.



19. Slide door closed to contain ghost.

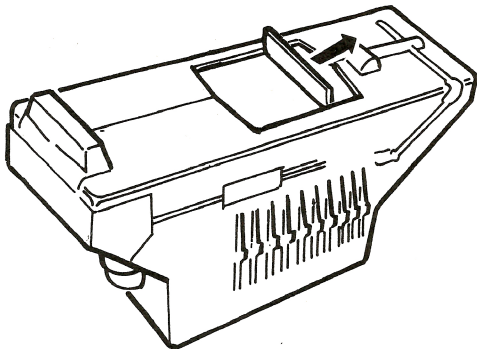
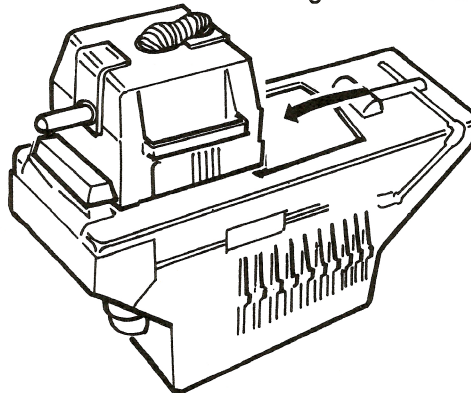


20. Close door on chamber, place ghost trap over containment chamber, aligning grooves on trap with tabs on top of chamber.



21. Slide trap to top center of containment chamber, automatically dropping ghost into chamber.

22. Slide ghost trap back to original position and remove trap. Ghost is now enclosed in containment chamber.



23. To remove ghosts, manually slide top door open and turn containment chamber over.

WE REALLY DO CARE!

We make each toy with tender loving care. If there is a problem with your toy as you receive it, please let us know. Simply describe the problem and mail that description along with your name and address to:

KENNER PRODUCTS
Consumer Affairs Dept.
1014 Vine St.
Cincinnati, Ohio 45202