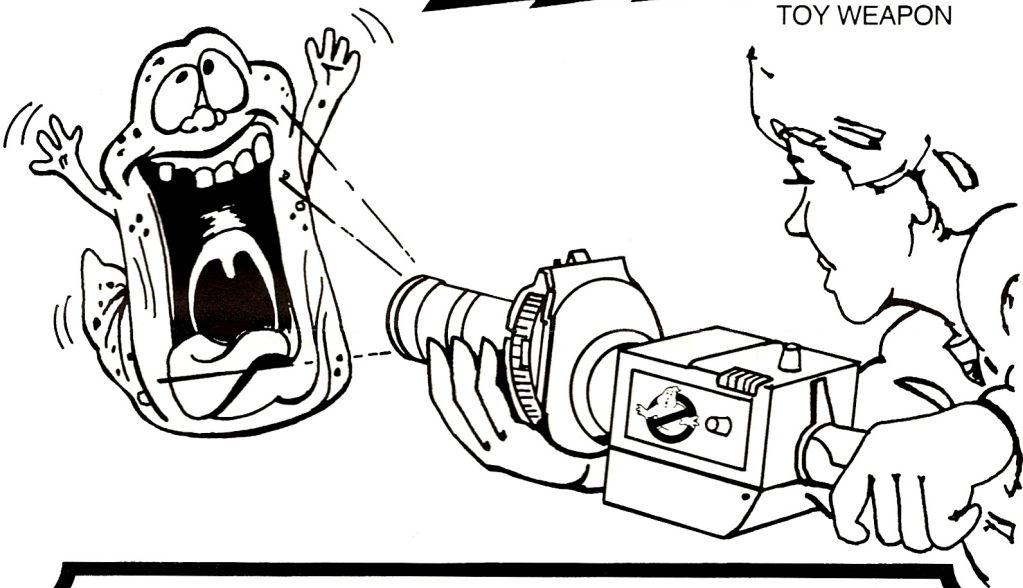




# GHOSTZAPPER™

TOY WEAPON

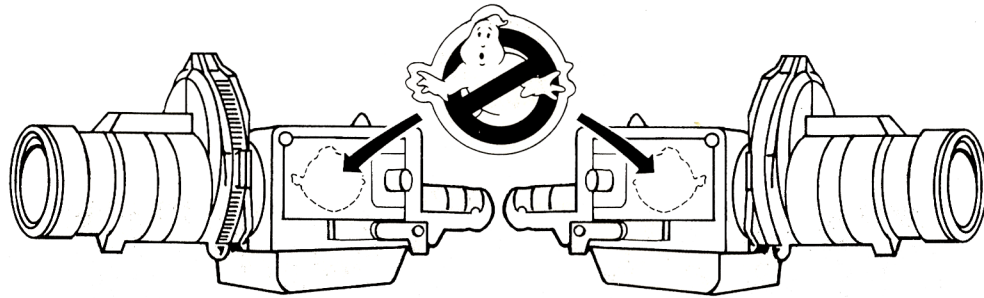


## WE REALLY DO CARE!

We make each toy with tender loving care. If there is a problem with your toy as you receive it, please let us know. Simply describe the problem and mail that description along with your name and address to:

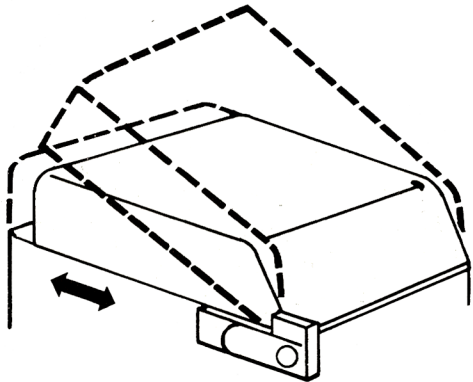
KENNER PRODUCTS  
 Consumer Affairs Dept.  
 1014 Vine St.  
 Cincinnati, OH 45202

## 1. LABEL PLACEMENT



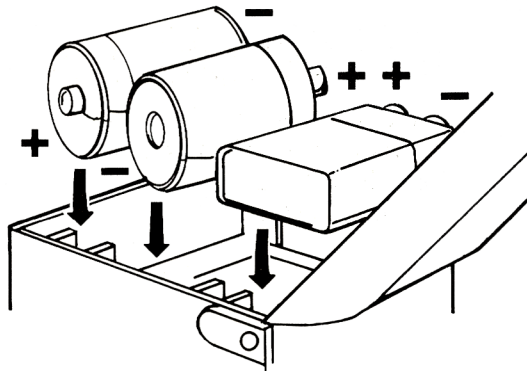
Position labels on each side of projector as shown.

## 2. BATTERY INSTALLATION



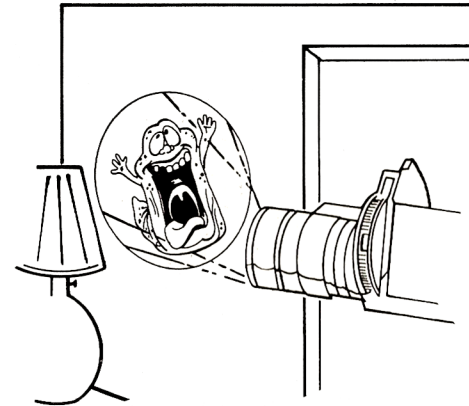
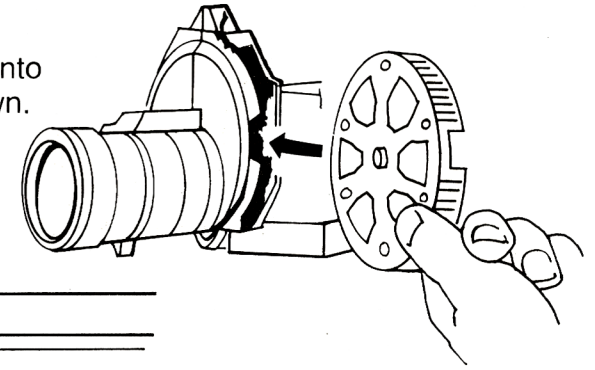
A. To open battery compartment, slide lid toward handle and lift up. (Battery compartment is located on bottom of projector.)

B. Insert two (2) "C" size and one nine volt alkaline batteries (not included). Close battery compartment by closing lid and pushing tab into slot.

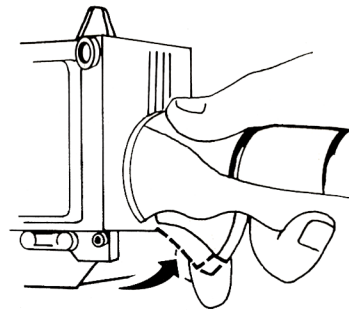


## 3. TO PROJECT GHOSTS

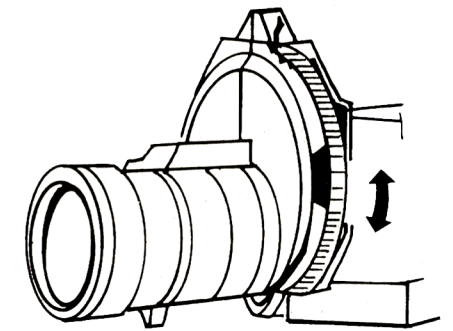
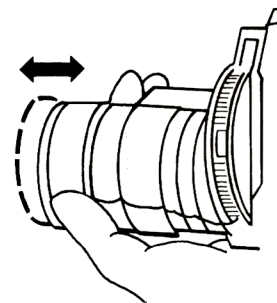
A. Insert ghost cartridge into projection slot as shown. Press in firmly until cartridge snaps into position.



B. In a dark area, aim lens at a flat surface. (Lens should be approximately 4 feet or less from surface).



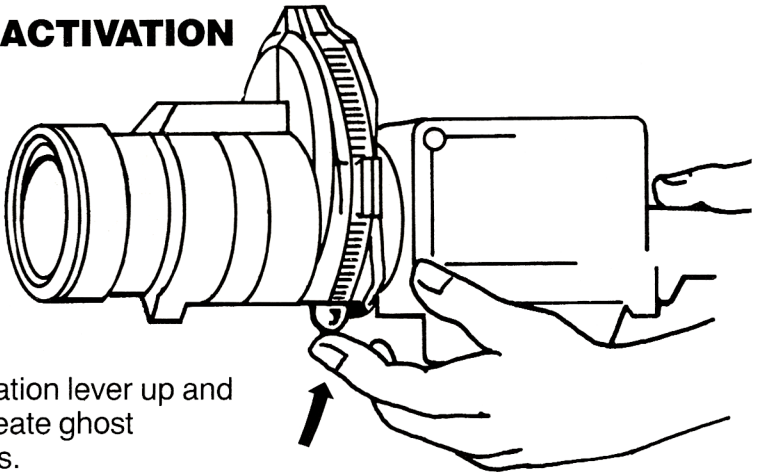
C. Press trigger lightly to turn projector light on.



D. Select desired ghosts by rotating cartridge in projection slot. (To have sound without picture, rotate cartridge until light is blocked.)

E. Pull lens in and out to focus ghosts.

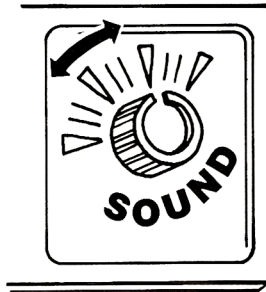
## 4. GHOST ACTIVATION LEVER



Push activation lever up and down to create ghost movements.

## 5. SOUND SELECTION

- A. Turn sound selection dial on side of projector to any one of four (4) different sound modes.
- B. Push trigger in completely to create sounds.

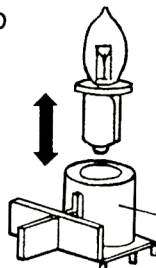
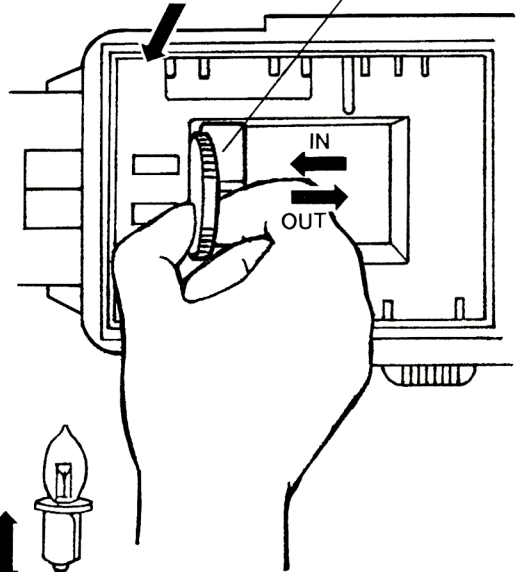


BATTERY COMPARTMENT

BULB HOLDER

## 6. BULB REPLACEMENT

- A. Remove batteries from battery compartment.
- B. Move bulb holder straight back with a coin and lift out of projector.
- C. Remove bulb from holder.
- D. Replace bulb with size PR2 bulb.
- E. Reposition bulb and bulb holder in projector and push back into place.
- F. Return batteries to compartment and close lid.



BULB HOLDER

