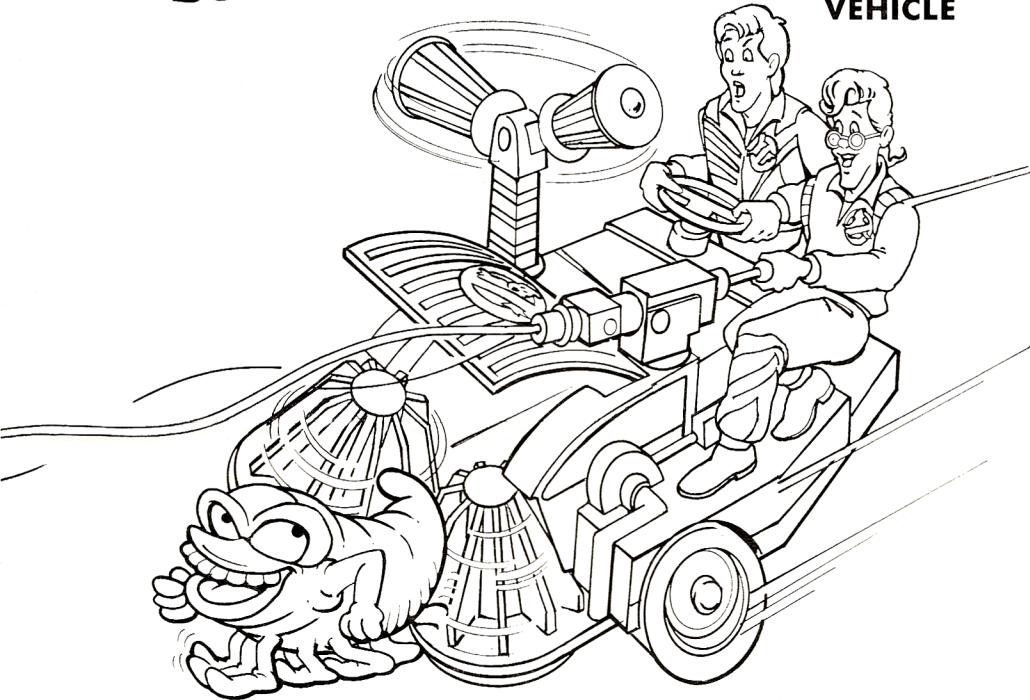




GHOST SWEEPER™ VEHICLE



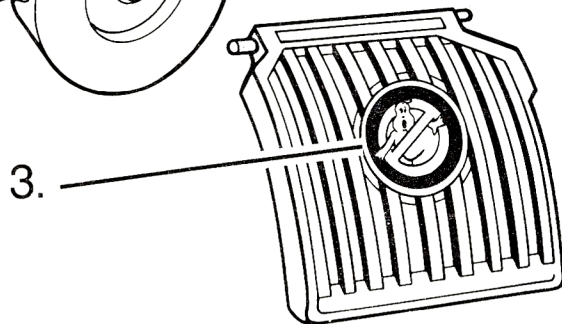
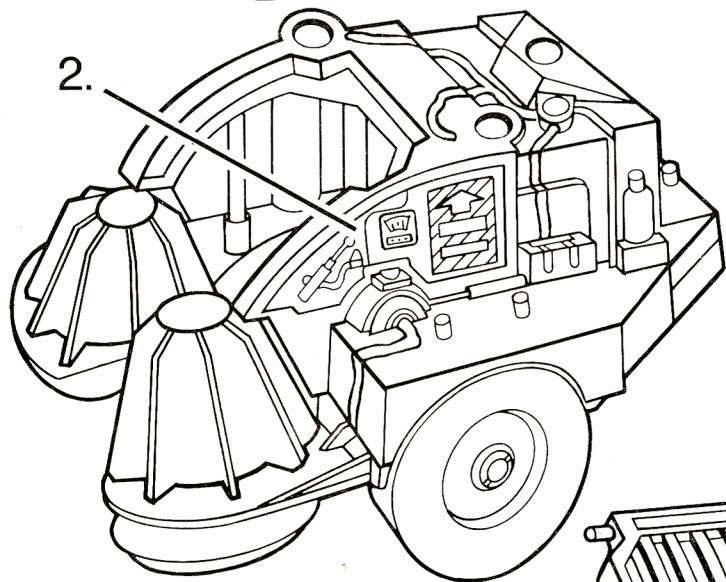
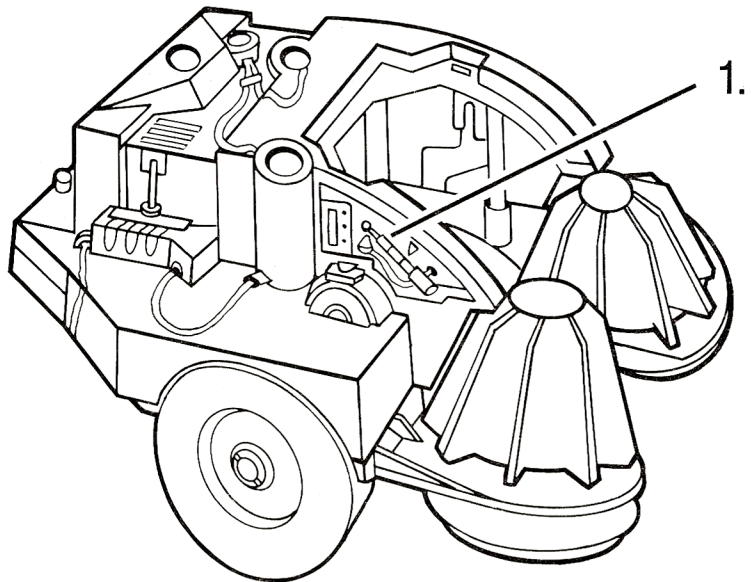
WE REALLY DO CARE!

We make each toy with tender loving care. If there is a problem with your toy as you receive it, please let us know. Simply describe the problem and mail that description along with your name and address to:

KENNER PRODUCTS
Consumer Affairs Dept.
1014 Vine St.
Cincinnati, OH 45202

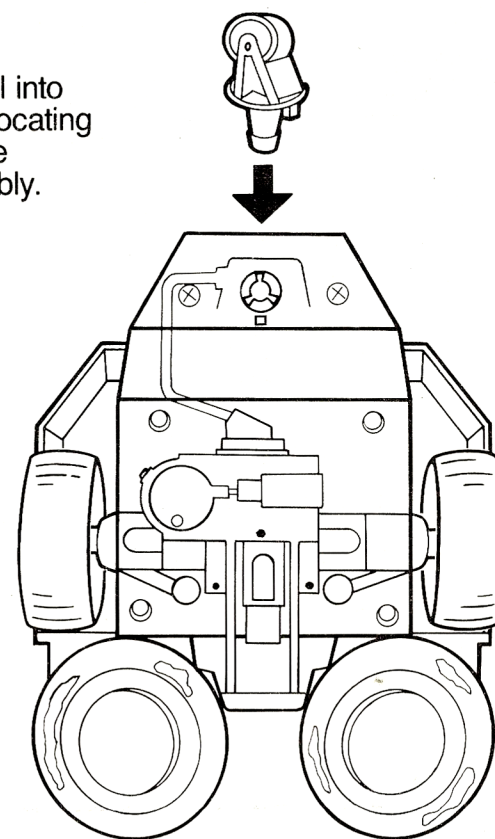
LABEL PLACEMENT

1. Apply labels by following numbers on label sheet and using these illustrations as a guide.



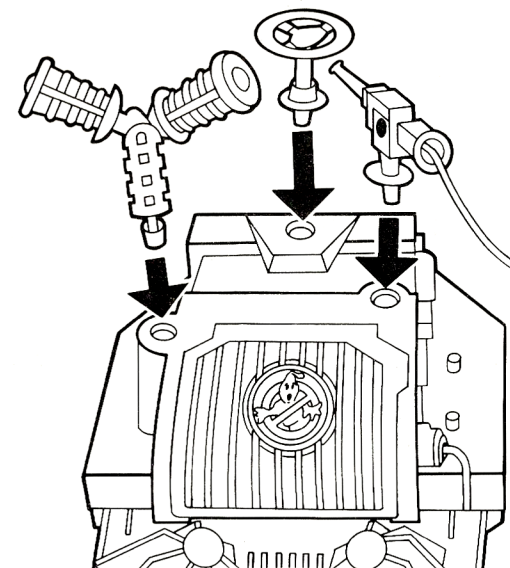
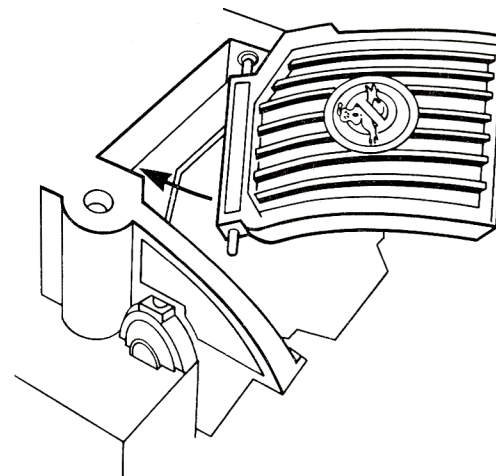
ASSEMBLY

2. Snap guide wheel into position. Square locating tab fits into square hole upon assembly.



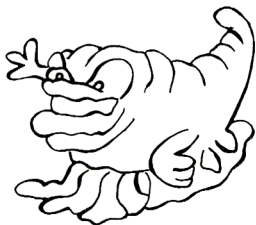
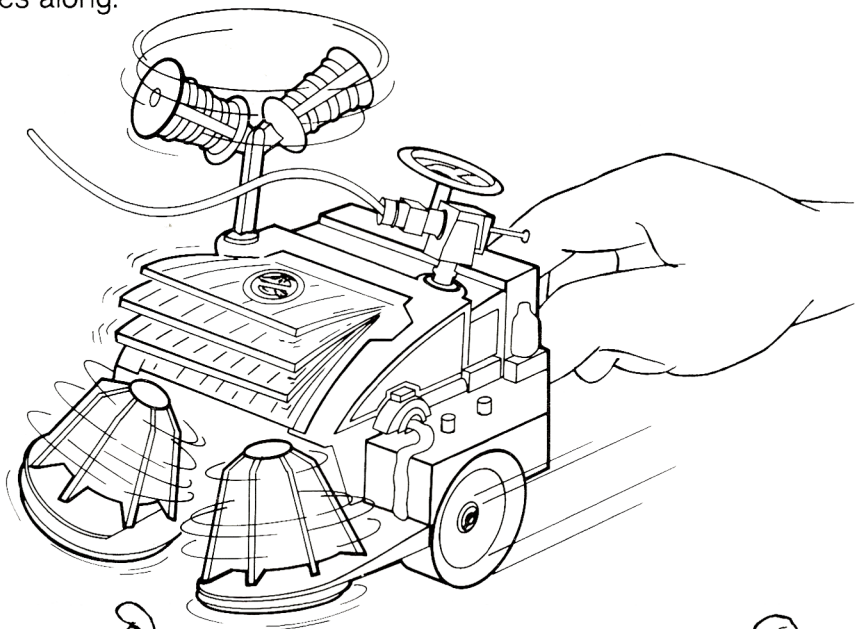
3. Assemble containment lid by inserting one peg at a time and snapping it into place.

4. Loud speaker, Steering Wheel and Nutrona Blaster™ snap into position.

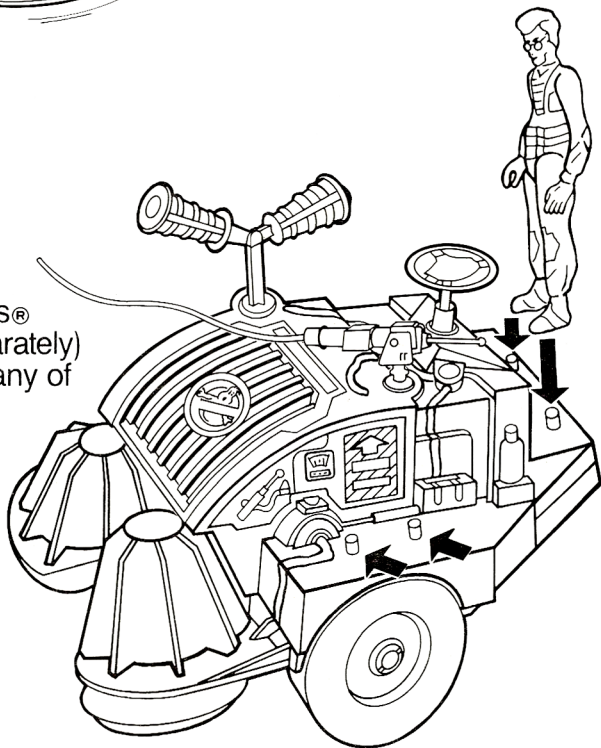


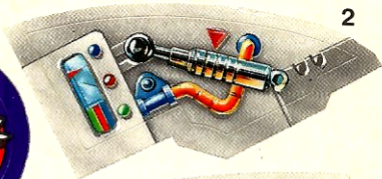
OPERATION

5. Push Ghost Sweeper™ vehicle forward to rotate brushes and capture the ghost. The loud speaker rotates and the containment lid moves up and down as the vehicle moves along.



6. The Real Ghostbusters® Hero Figures (sold separately) can be positioned on any of the four foot pegs.





© 1984 COLUMBIA PICTURES INDUSTRIES, INC.

© 1986 COLUMBIA PICTURES TELEVISION, A DIVISION OF CPT HOLDINGS, INC.

ALL RIGHTS RESERVED 4516-016