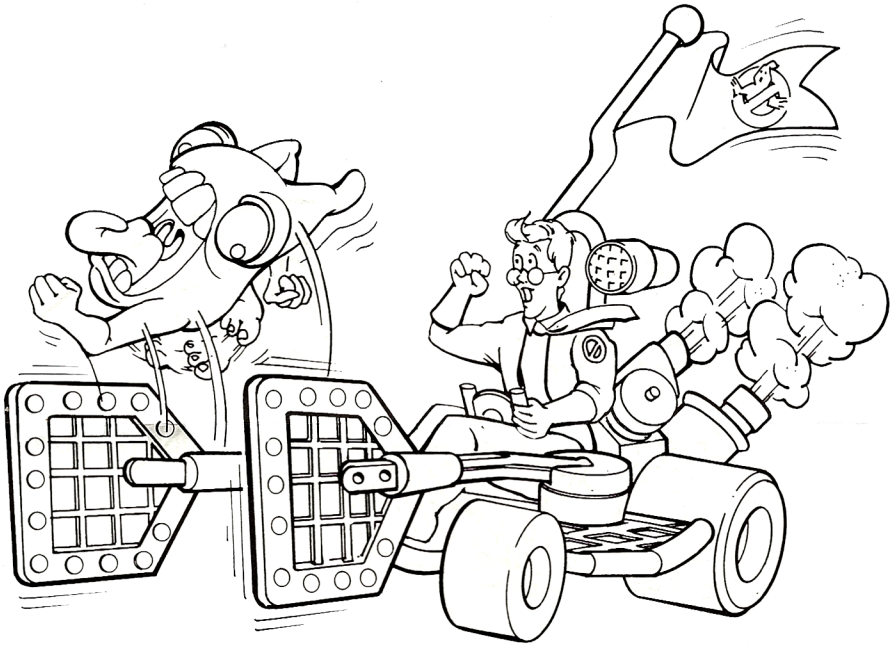




ECTO-3™

VEHICLE



WE REALLY DO CARE!

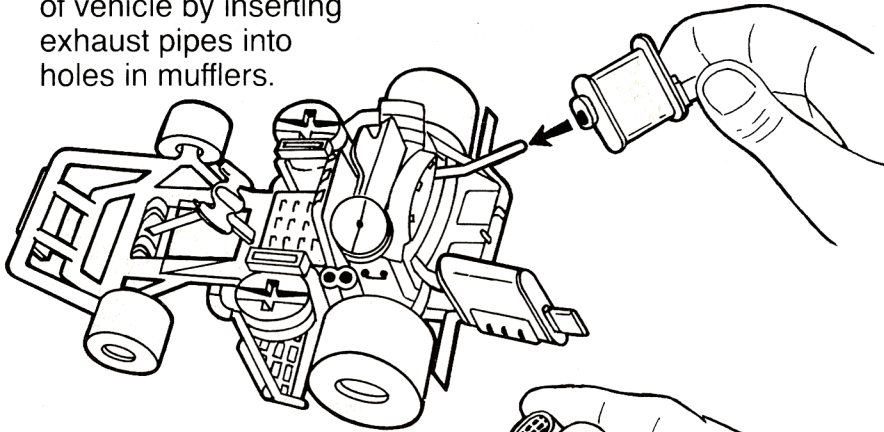
We make each toy with tender loving care. If there is a problem with your toy as you receive it, please let us know. Simply describe the problem and mail that description along with your name and address to:

KENNER PRODUCTS
Consumer Affairs Dept.
1014 Vine St.
Cincinnati, OH 45202

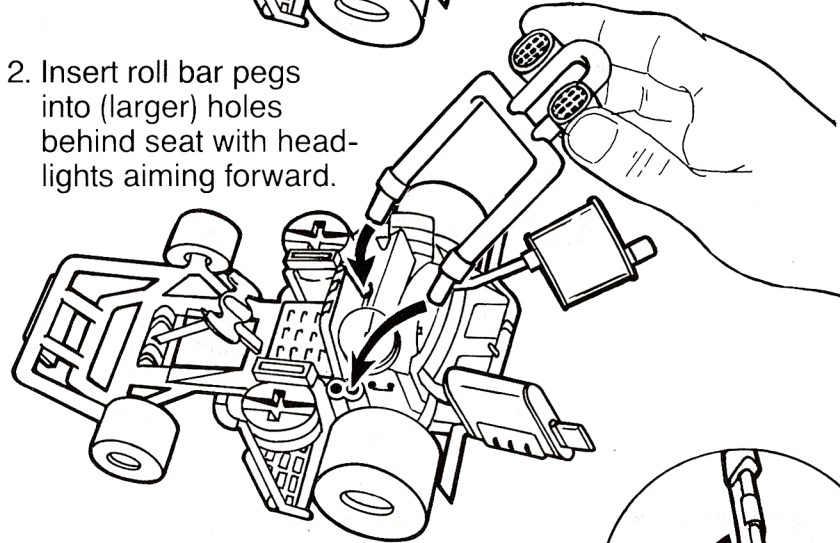
PRINTED IN HONG KONG

ASSEMBLY

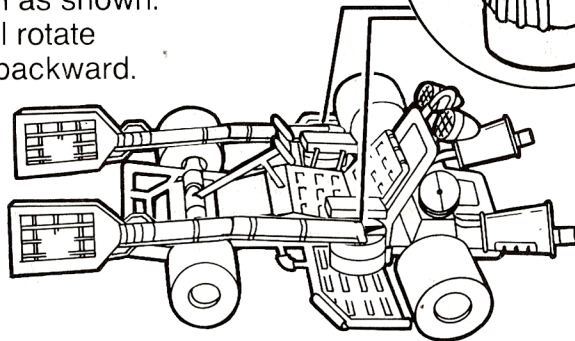
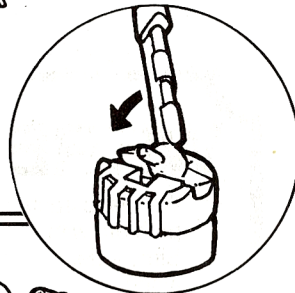
1. Attach mufflers to rear of vehicle by inserting exhaust pipes into holes in mufflers.



2. Insert roll bar pegs into (larger) holes behind seat with headlights aiming forward.

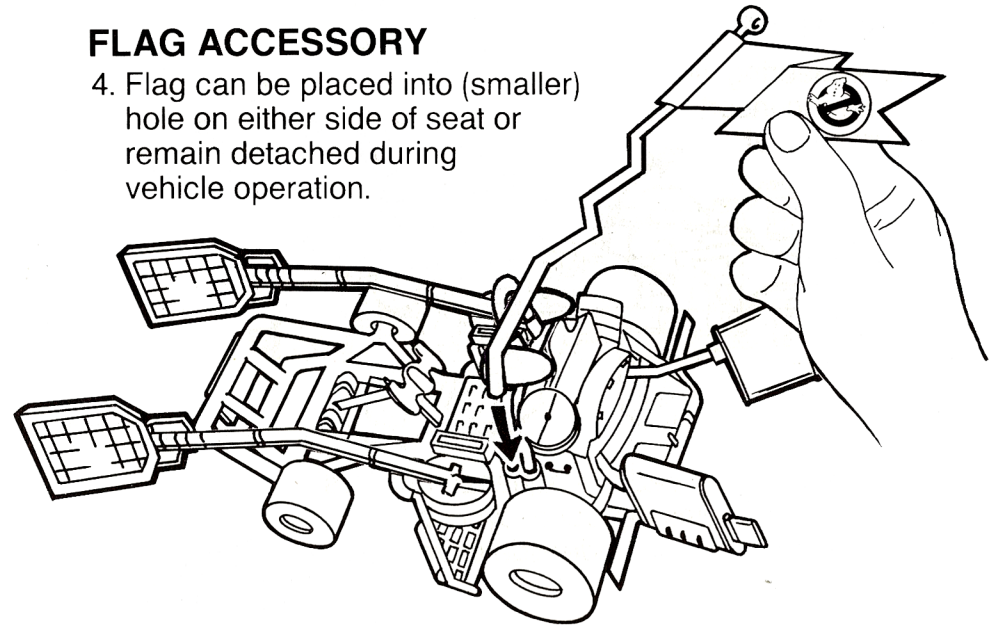


3. Attach ghost paddles by inserting one peg first, then snapping other peg into position as shown. Paddles will rotate forward or backward.



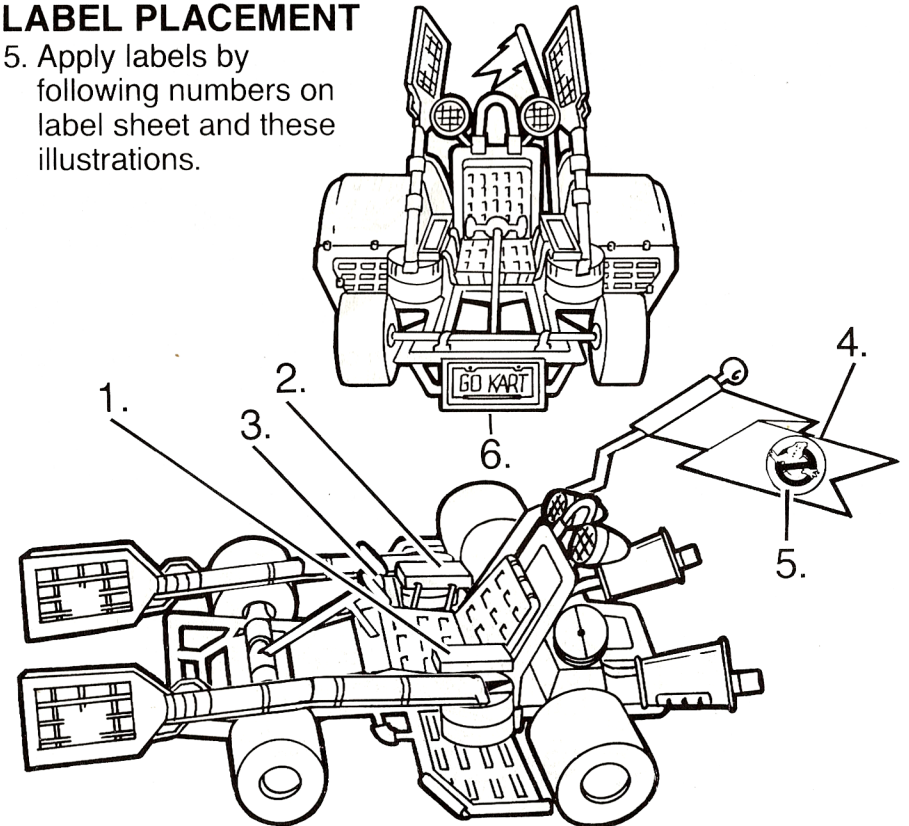
FLAG ACCESSORY

4. Flag can be placed into (smaller) hole on either side of seat or remain detached during vehicle operation.



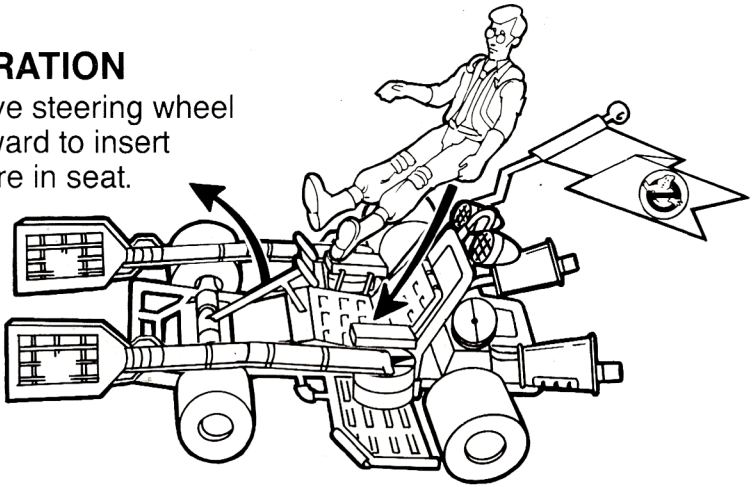
LABEL PLACEMENT

5. Apply labels by following numbers on label sheet and these illustrations.

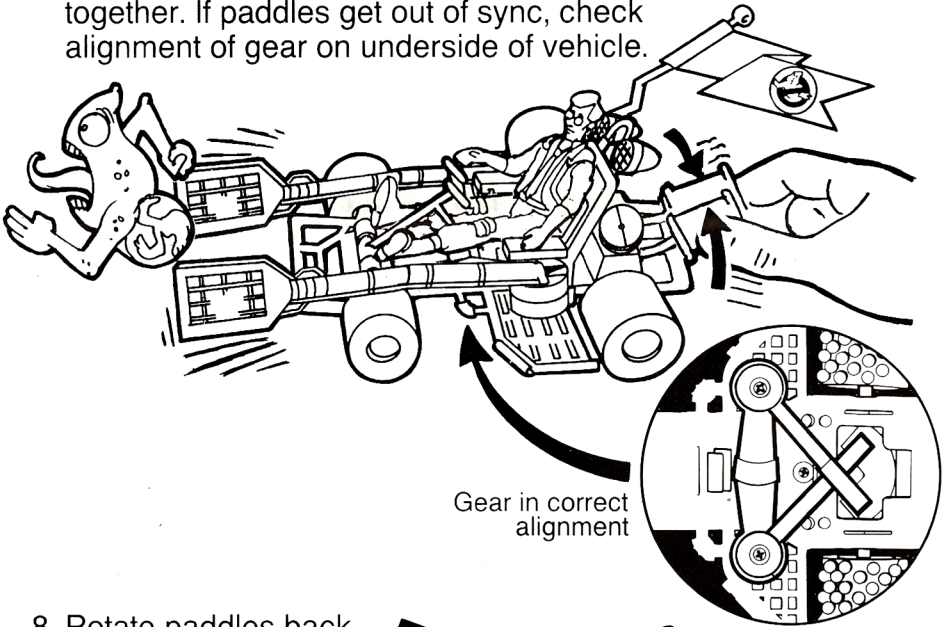


OPERATION

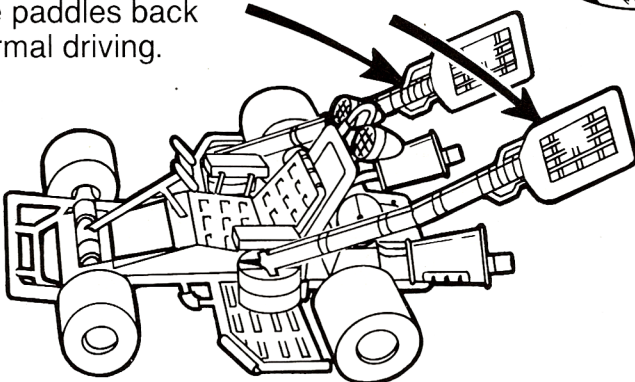
6. Move steering wheel forward to insert figure in seat.



7. To activate ghost paddles squeeze mufflers together. If paddles get out of sync, check alignment of gear on underside of vehicle.



8. Rotate paddles back for normal driving.



3



4



5



1



6



2



© 1984 COLUMBIA PICTURES INDUSTRIES, INC.

© 1986 COLUMBIA PICTURES TELEVISION,
A DIVISION OF C.P.T. HOLDINGS, INC.
ALL RIGHTS RESERVED

1989

#4156-019