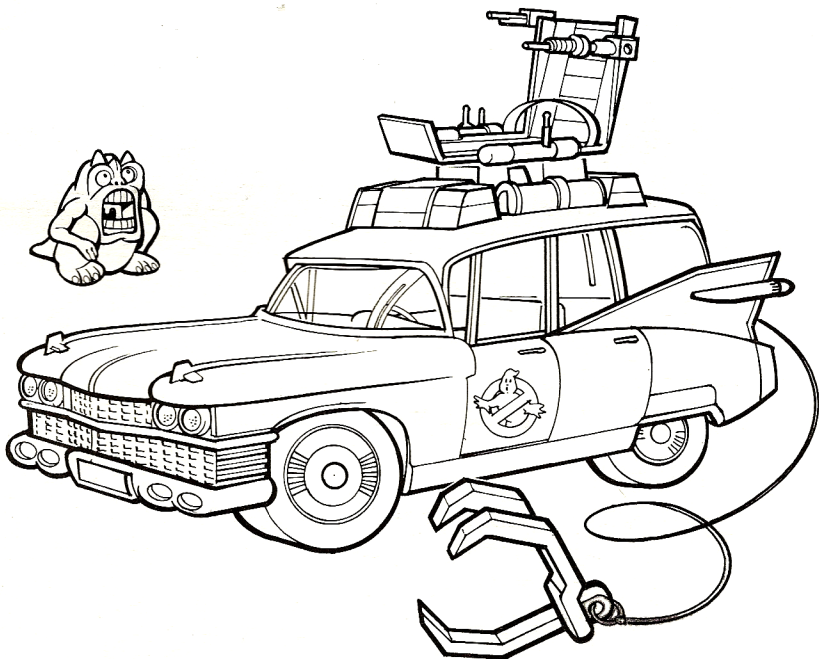




ECTO-1™

VEHICLE



WE REALLY DO CARE!

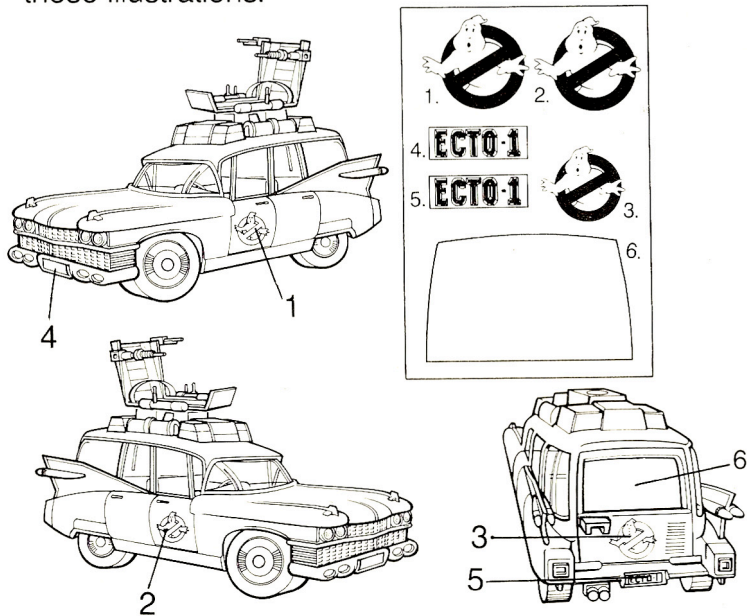
We make each toy with tender loving care. If there is a problem with your toy as you receive it, please let us know. Simply describe the problem and mail that description along with your name and address to:

KENNER PRODUCTS
Consumer Affairs Dept.
1014 Vine St.
Cincinnati, Ohio 45202

Kenner®

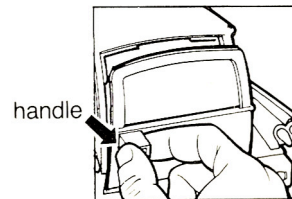
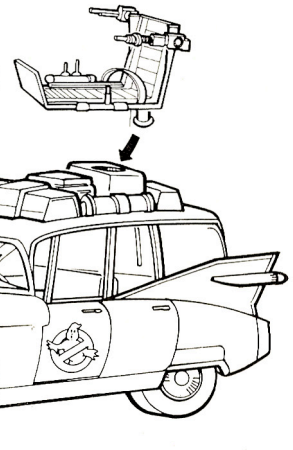
LABEL PLACEMENT

Apply labels by following numbers on label sheets and these illustrations.

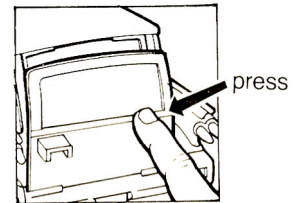


2. Swivel blaster seat operation

- A. Insert post on bottom of seat into hole in top of roof of vehicle for swivel blaster seat action.



To open hatch
pull on sides of
handle.

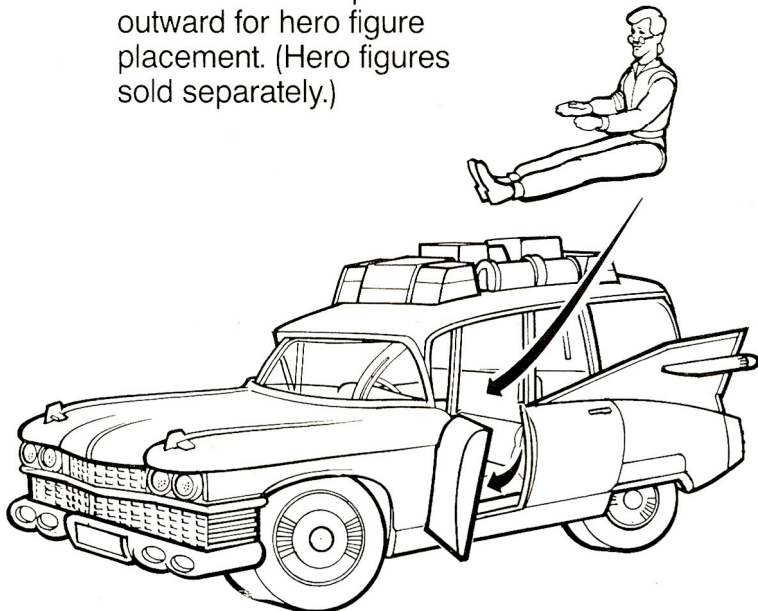


To close, press
on right side
of hatch to keep
it in closed position.

OPERATING INSTRUCTIONS

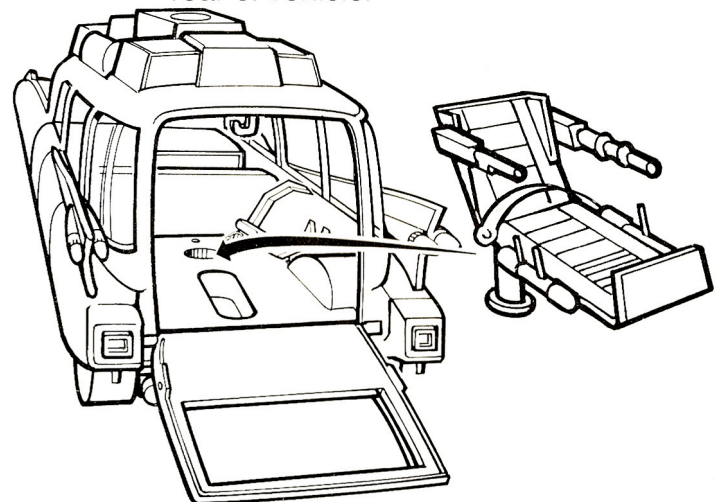
1. Doors

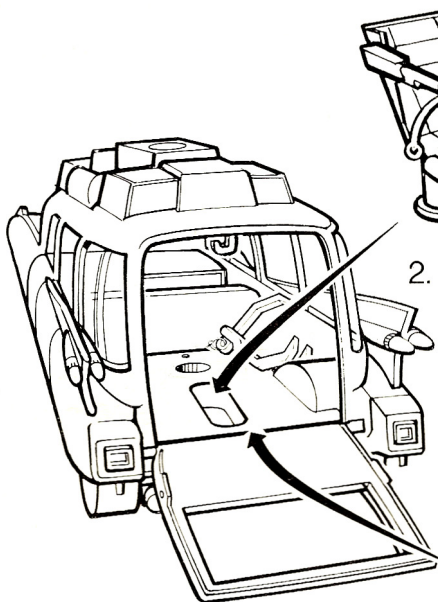
- A. Two front doors open outward for hero figure placement. (Hero figures sold separately.)



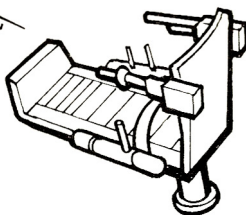
- B. Seat can be placed inside rear cargo area in 3 positions.

1. Position post in hole for seat storage facing rear of vehicle.





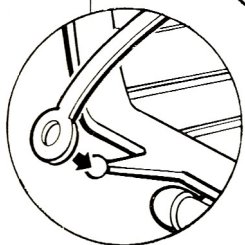
2. Position post in slot with front of seat facing rear of vehicle. Seat will slide in and out for desired rear gunner position. NOTE: Rear door will not close in this position.

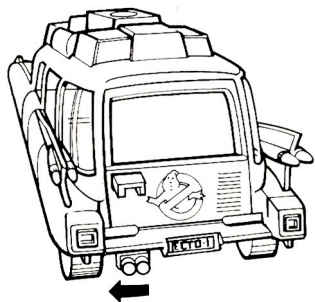


3. Position post in slot with front of seat facing front of vehicle. Door will close by sliding seat in toward front of vehicle.



- C. Place hero figure in seat with arms extended. Attach seat belt by placing it under arms and over legs. Push hole in seat belt onto peg on seat to lock.

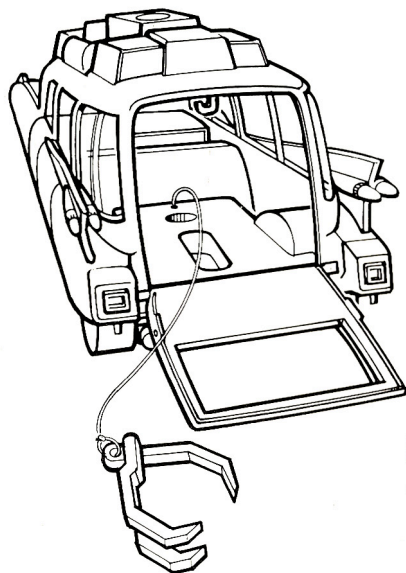




3. Exhaust pipe switch and ghost claw operation.

Exhaust pipe switch is located under rear bumper of vehicle and operates as follows:

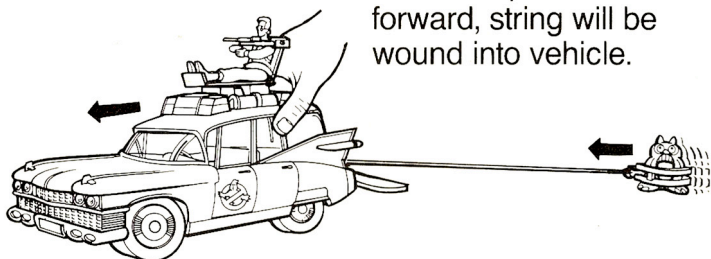
A. Slide exhaust pipe switch to the left for free wheeling, when claw is in storage or when pulling claw from vehicle.



B. Claw can hold ghost by pressing it together around ghost.

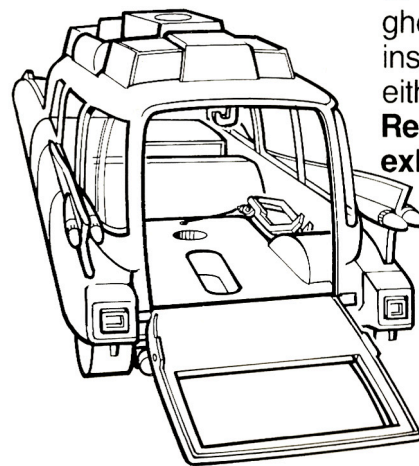


C. To retrieve ghost held by claw, slide exhaust pipe switch to the right. Push vehicle forward. As vehicle is pushed forward, string will be wound into vehicle.



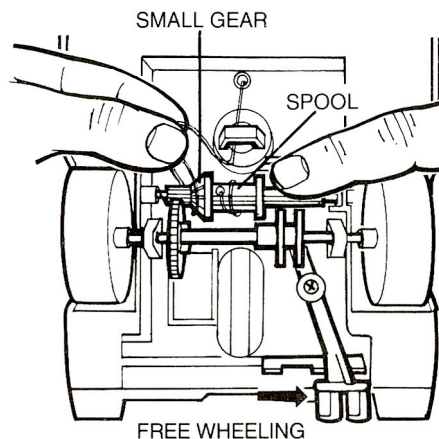
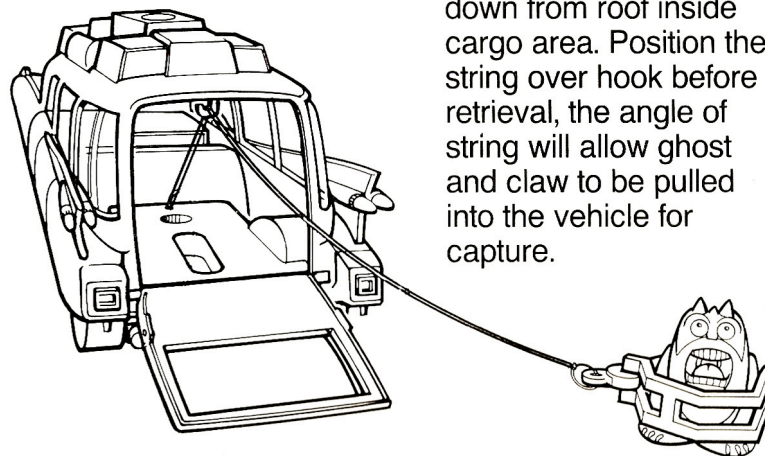
D. After winding in string, ghost claw can be stored inside vehicle in front of either wheel well.

Remember to return the exhaust pipe switch to the left for free wheeling.



4. Optional Retrieval:

Locate hook extending down from roof inside cargo area. Position the string over hook before retrieval, the angle of string will allow ghost and claw to be pulled into the vehicle for capture.



NOTE: If string becomes tangled, put exhaust pipe in free wheeling position, move spool back and forth while working to untangle the string. Look for looped string over small gear.

1



2



4

ECTO-1

5

ECTO-1

3



6

